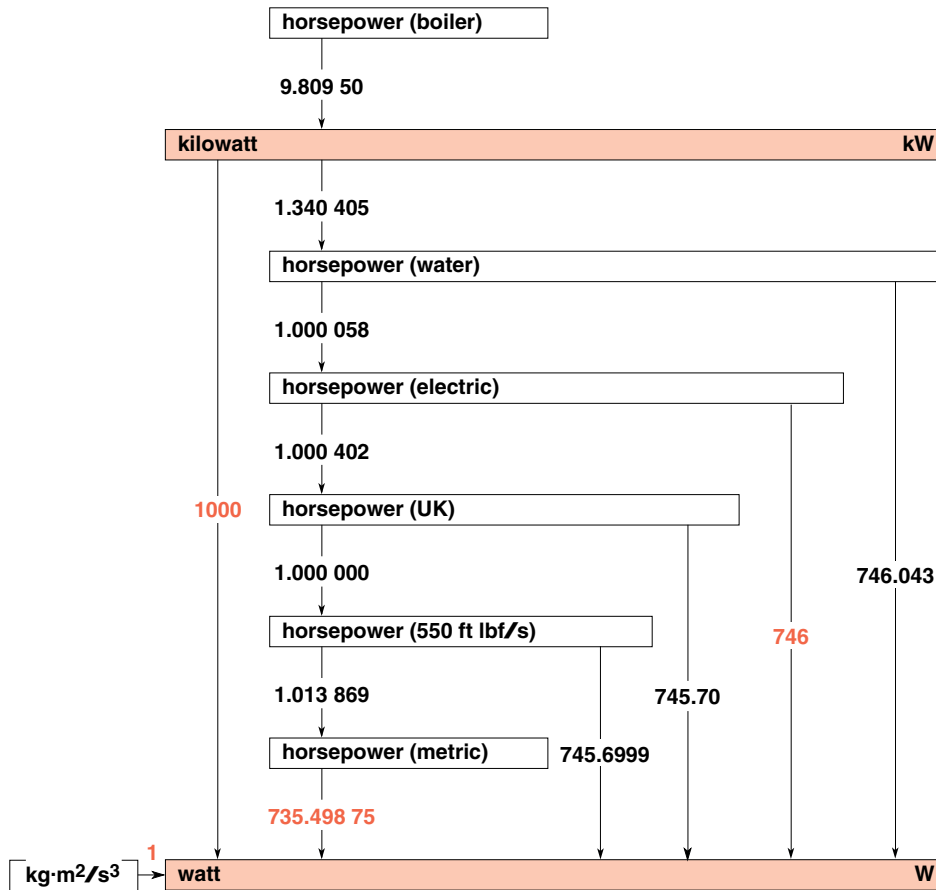
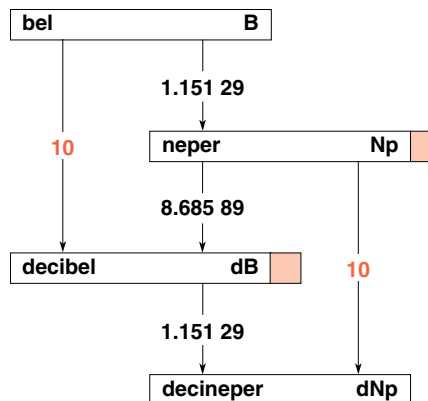


VISUALIZING SI UNITS

POWER (horsepower units) (P)



POWER LEVEL DIFFERENCE or FIELD LEVEL DIFFERENCE (D)



Copyright © 1988 Sperika Enterprises Ltd.
All rights reserved.
<http://www.wildi-theo.com>

Example 1: Convert 80 decibels to nepers

Solution : 80 dB = 80 (÷ 8.685 89) Np = 9.21 Np

Example 2: Convert 7 nepers to decibels

Solution : 7 Np = 7 (× 8.685 89) dB = 60.80 dB